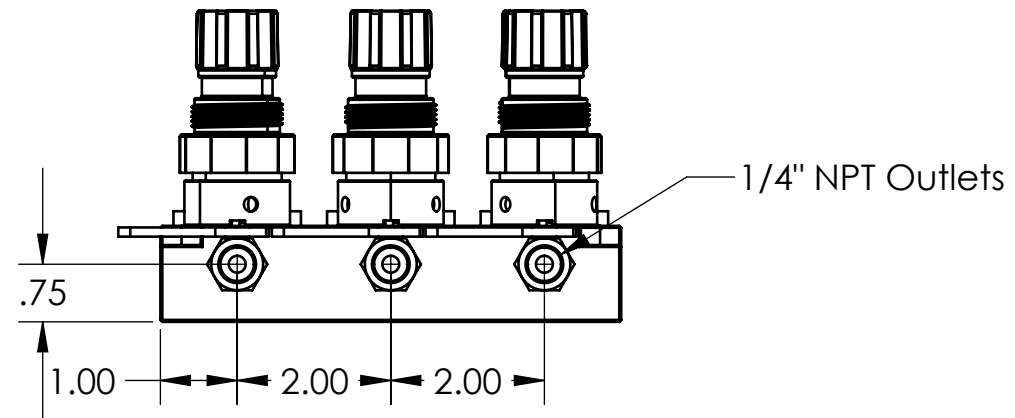
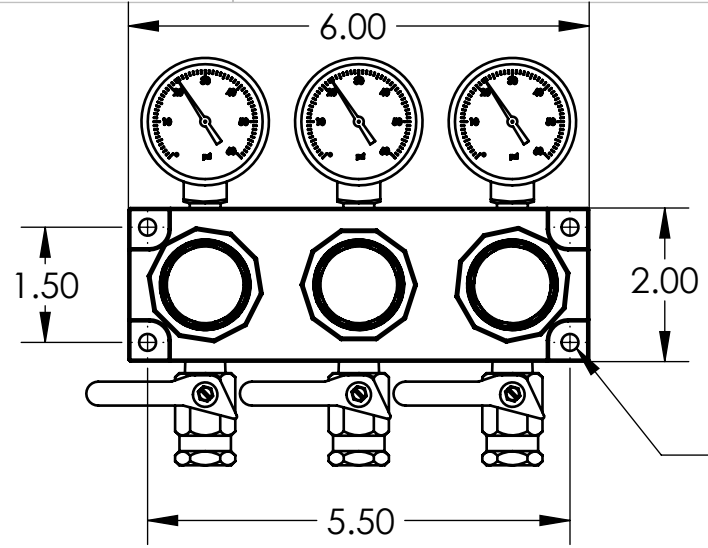
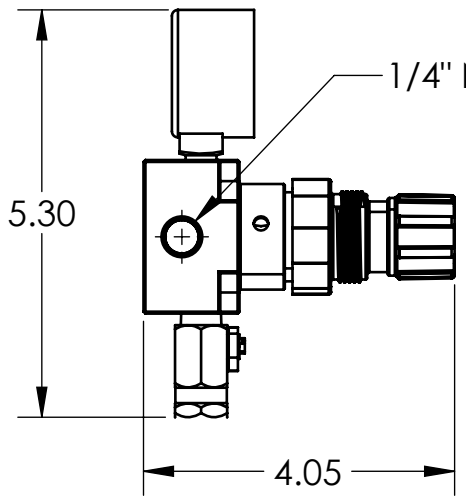


4 3 2 1



A

A

PROPRIETARY AND CONFIDENTIAL
 THE INFORMATION CONTAINED IN THIS DRAWING IS THE SOLE PROPERTY OF MCDANTIM, INC. ANY REPRODUCTION IN PART OR AS A WHOLE WITHOUT THE WRITTEN PERMISSION OF MCDANTIM, INC IS PROHIBITED.

UNLESS OTHERWISE SPECIFIED:		NAME	DATE
DIMENSIONS ARE IN INCHES	DRAWN	TRA	11/16/18
TOLERANCES:	CHECKED		
FRACTIONAL $\pm 1/32$	ENG APPR.		
ANGULAR: MACH \pm BEND \pm	MFG APPR.		
TWO PLACE DECIMAL $\pm .01$	Q.A.		
THREE PLACE DECIMAL $\pm .005$	COMMENTS:		
INTERPRET GEOMETRIC TOLERANCING PER: ANSI Y14.5M-1994			
MATERIAL			
FINISH			
DO NOT SCALE DRAWING			



TITLE:
STR-3 DIM

SIZE	DWG. NO.	REV
A	STR-3_DIM	
SCALE: 1:4	WEIGHT:	SHEET 1 OF 1

4 3 2 1