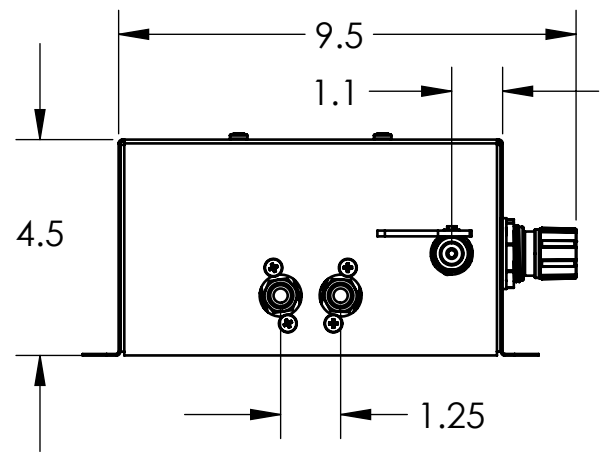
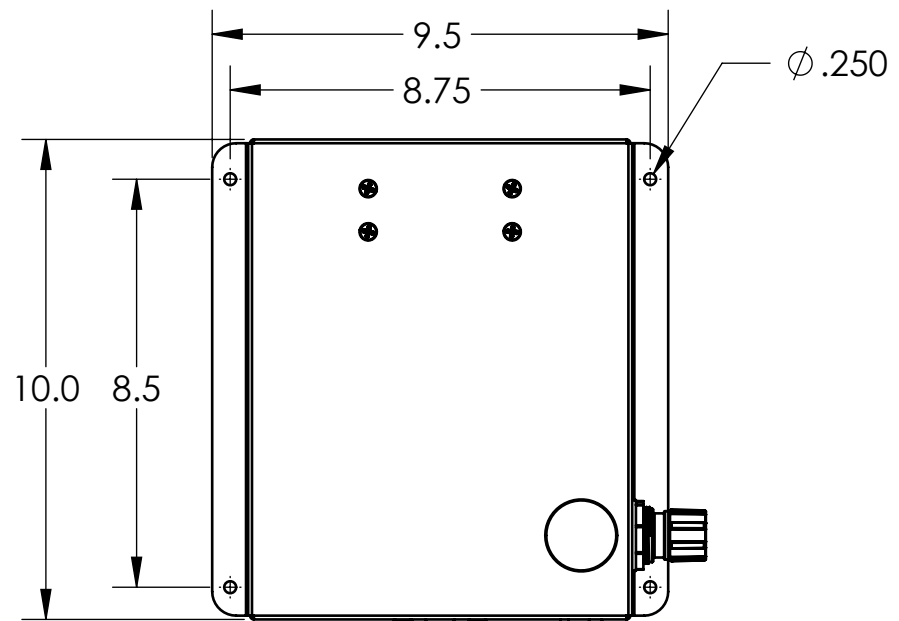


4 3 2 1

B



1/4" Female NPT
Pure Gas Inlets

1/4" Female NPT
Mixed Gas Outlet

A

A

UNLESS OTHERWISE SPECIFIED:

DIMENSIONS ARE IN INCHES
TOLERANCES:
FRACTIONAL $\pm 1/32$
ANGULAR: MACH \pm BEND \pm
TWO PLACE DECIMAL $\pm .01$
THREE PLACE DECIMAL $\pm .005$

INTERPRET GEOMETRIC TOLERANCING PER: ANSI Y14.5M-1994

MATERIAL
FINISH

DO NOT SCALE DRAWING

	NAME	DATE
DRAWN	TRA	8/27/18
CHECKED		
ENG APPR.		
MFG APPR.		
Q.A.		
COMMENTS:		



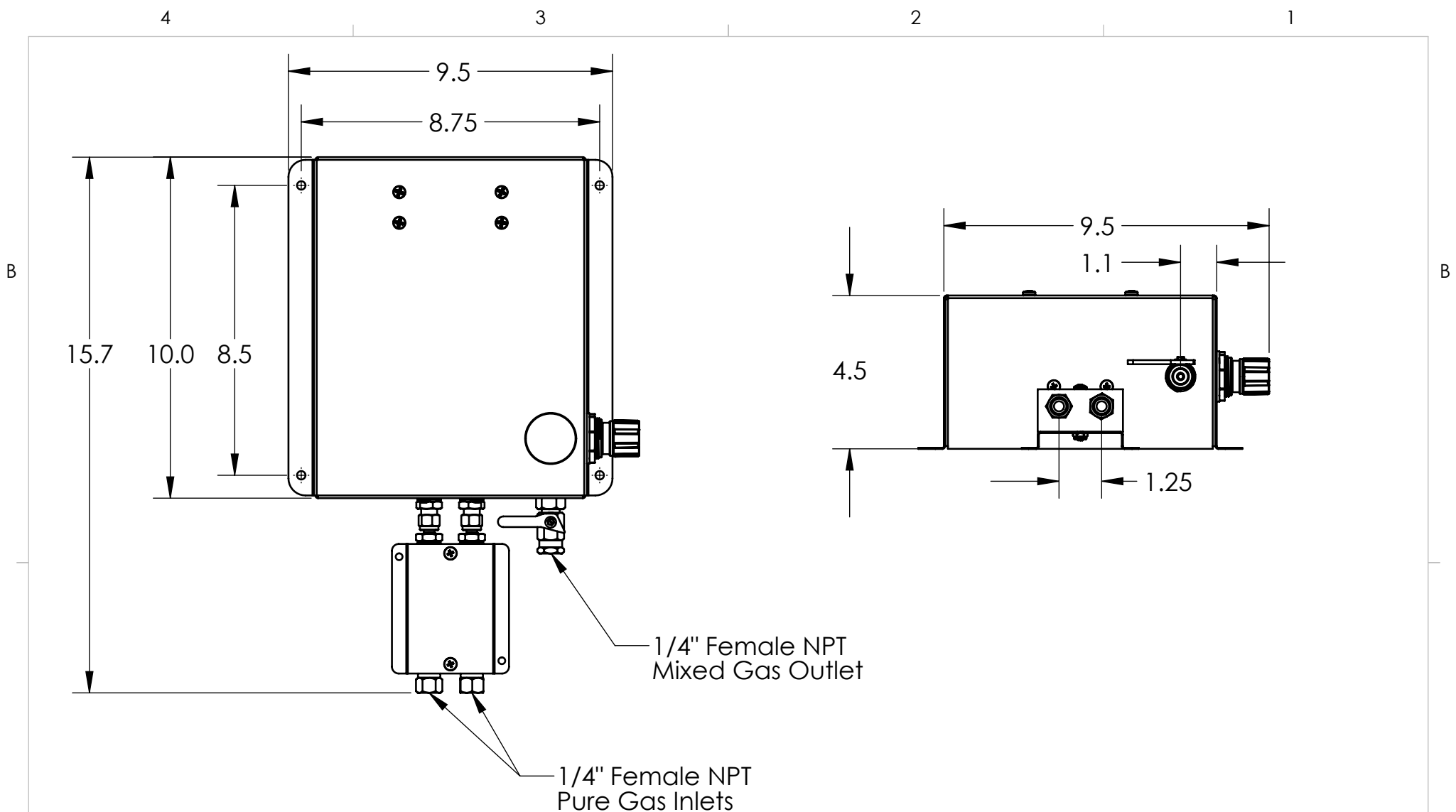
TITLE:
**TM-1-HPR
DIM**

SIZE	DWG. NO.	REV
A	TM-1-HPR_DIM	

SCALE: 1:4 WEIGHT: SHEET 1 OF 1

PROPRIETARY AND CONFIDENTIAL
THE INFORMATION CONTAINED IN THIS DRAWING IS THE SOLE PROPERTY OF MCDANTIM, INC. ANY REPRODUCTION IN PART OR AS A WHOLE WITHOUT THE WRITTEN PERMISSION OF MCDANTIM, INC IS PROHIBITED.

4 3 2 1



A

A

PROPRIETARY AND CONFIDENTIAL
 THE INFORMATION CONTAINED IN THIS DRAWING IS THE SOLE PROPERTY OF MCDANTIM, INC. ANY REPRODUCTION IN PART OR AS A WHOLE WITHOUT THE WRITTEN PERMISSION OF MCDANTIM, INC IS PROHIBITED.

UNLESS OTHERWISE SPECIFIED:		NAME	DATE
DIMENSIONS ARE IN INCHES		DRAWN	TRA 8/27/18
TOLERANCES:		CHECKED	
FRACTIONAL ± 1/32		ENG APPR.	
ANGULAR: MACH ± BEND ±		MFG APPR.	
TWO PLACE DECIMAL ±.01		Q.A.	
THREE PLACE DECIMAL ±.005		COMMENTS:	
INTERPRET GEOMETRIC TOLERANCING PER: ANSI Y14.5M-1994			
MATERIAL			
FINISH			
DO NOT SCALE DRAWING			



TITLE:
**TM-1-HPR w/
 ILLI DIM**

SIZE	DWG. NO.	REV
A	TM-1-HPR_illi_DIM	
SCALE: 1:8	WEIGHT:	SHEET 1 OF 1