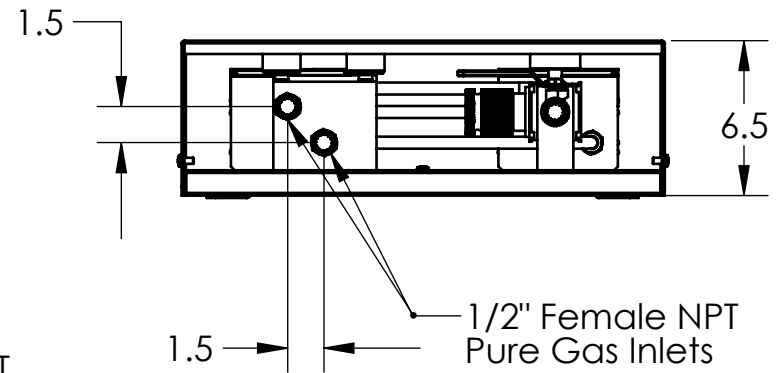
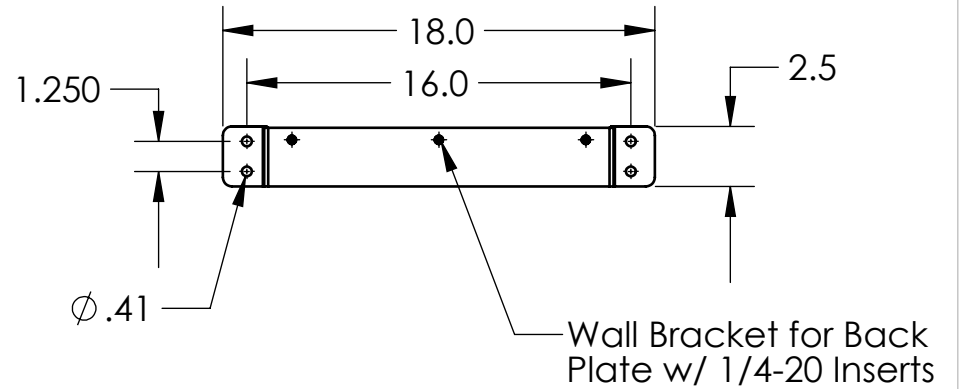


1/2" Female NPT
Mixed Gas Outlet



PROPRIETARY AND CONFIDENTIAL
THE INFORMATION CONTAINED IN THIS DRAWING IS THE SOLE PROPERTY OF MCDANTIM INC. ANY REPRODUCTION IN PART OR AS A WHOLE WITHOUT THE WRITTEN PERMISSION OF MCDANTIM INC IS PROHIBITED.

		UNLESS OTHERWISE SPECIFIED:		NAME	DATE
		DIMENSIONS ARE IN INCHES	DRAWN	TRA	9/17/15
		TOLERANCES:	CHECKED		
		FRACTIONAL ± 1/32	ENG APPR.		
		ANGULAR: MACH ± BEND ±	MFG APPR.		
		TWO PLACE DECIMAL ±.01			
		THREE PLACE DECIMAL ±.005			
		INTERPRET GEOMETRIC TOLERANCING PER: Y14.5M-1994	Q.A.		
		MATERIAL	COMMENTS:		
NEXT ASSY	USED ON	FINISH			
APPLICATION		DO NOT SCALE DRAWING			



TITLE:		
TMA Panel-DIM		
SIZE	DWG. NO.	REV
A	TMA Panel-DIM	
SCALE: 1:8	WEIGHT:	SHEET 1 OF 1