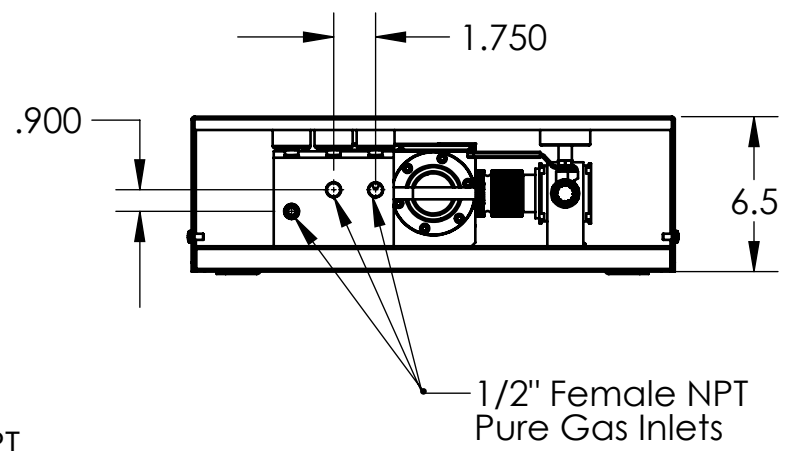
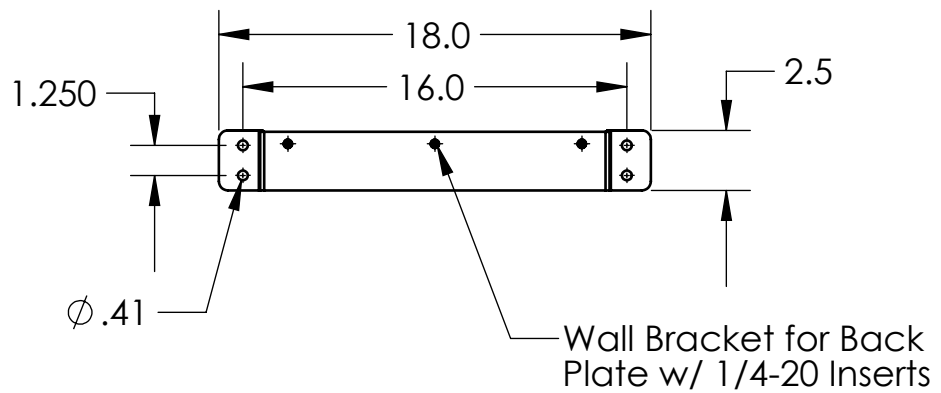


1/2" Female NPT Mixed Gas Outlet



PROPRIETARY AND CONFIDENTIAL
 THE INFORMATION CONTAINED IN THIS DRAWING IS THE SOLE PROPERTY OF MCDANTIM INC. ANY REPRODUCTION IN PART OR AS A WHOLE WITHOUT THE WRITTEN PERMISSION OF MCDANTIM INC IS PROHIBITED.

		UNLESS OTHERWISE SPECIFIED:		NAME	DATE
		DIMENSIONS ARE IN INCHES	DRAWN	TRA	9/17/15
		TOLERANCES:	CHECKED		
		FRACTIONAL ± 1/32	ENG APPR.		
		ANGULAR: MACH ± BEND ±	MFG APPR.		
		TWO PLACE DECIMAL ±.01	Q.A.		
		THREE PLACE DECIMAL ±.005	COMMENTS:		
		INTERPRET GEOMETRIC TOLERANCING PER: Y14.5M-1994			
		MATERIAL			
NEXT ASSY	USED ON	FINISH			
APPLICATION		DO NOT SCALE DRAWING			



TITLE:
TMA950-3 & TMA2000-3 DIM

SIZE	DWG. NO.	REV
A	TMA_3 Panel-DIM	
SCALE: 1:8	WEIGHT:	SHEET 1 OF 1