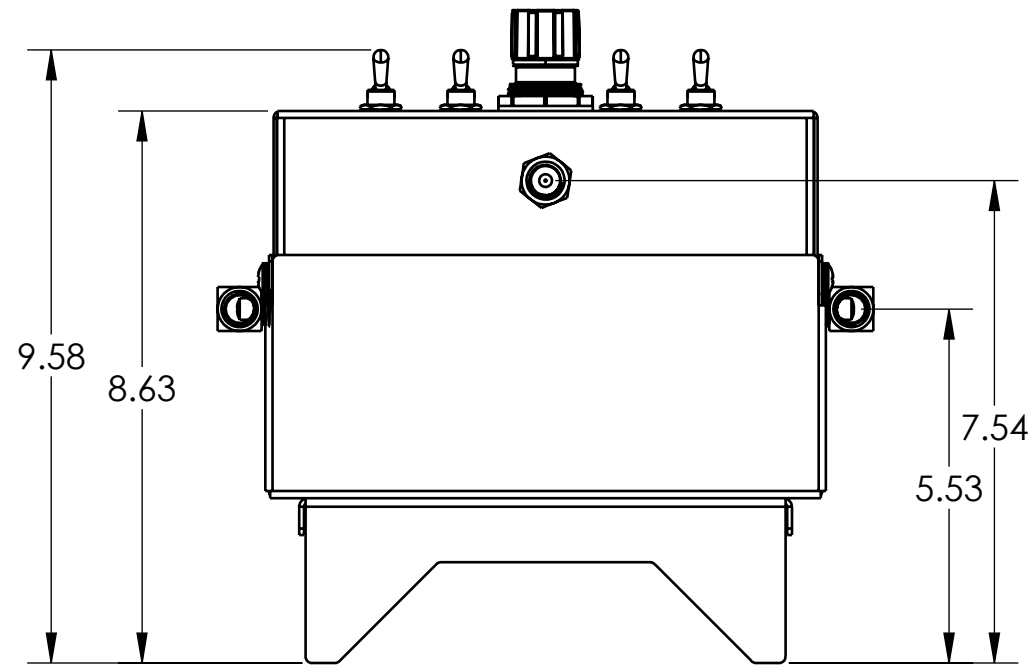
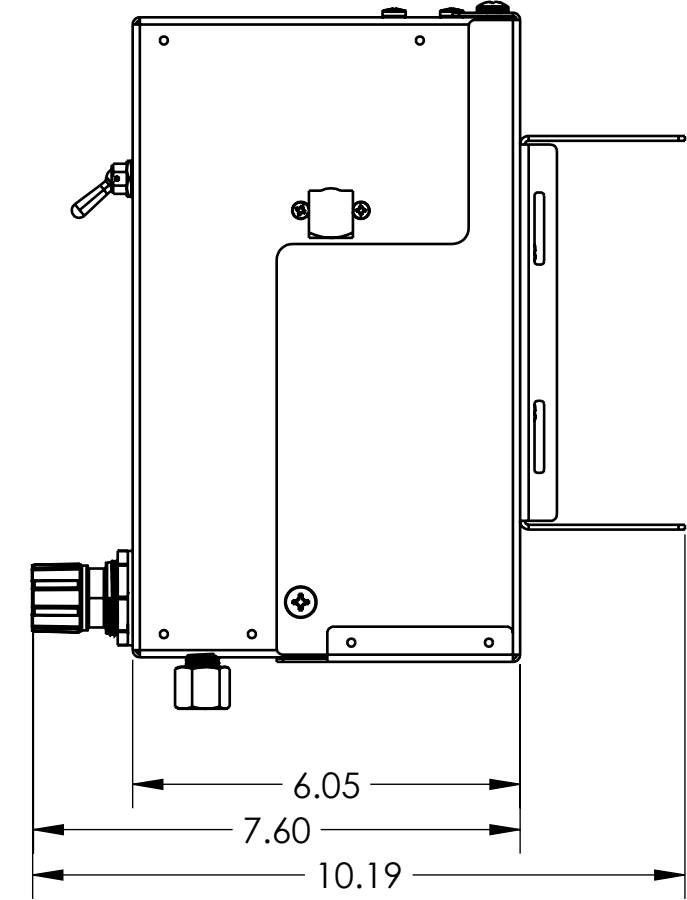
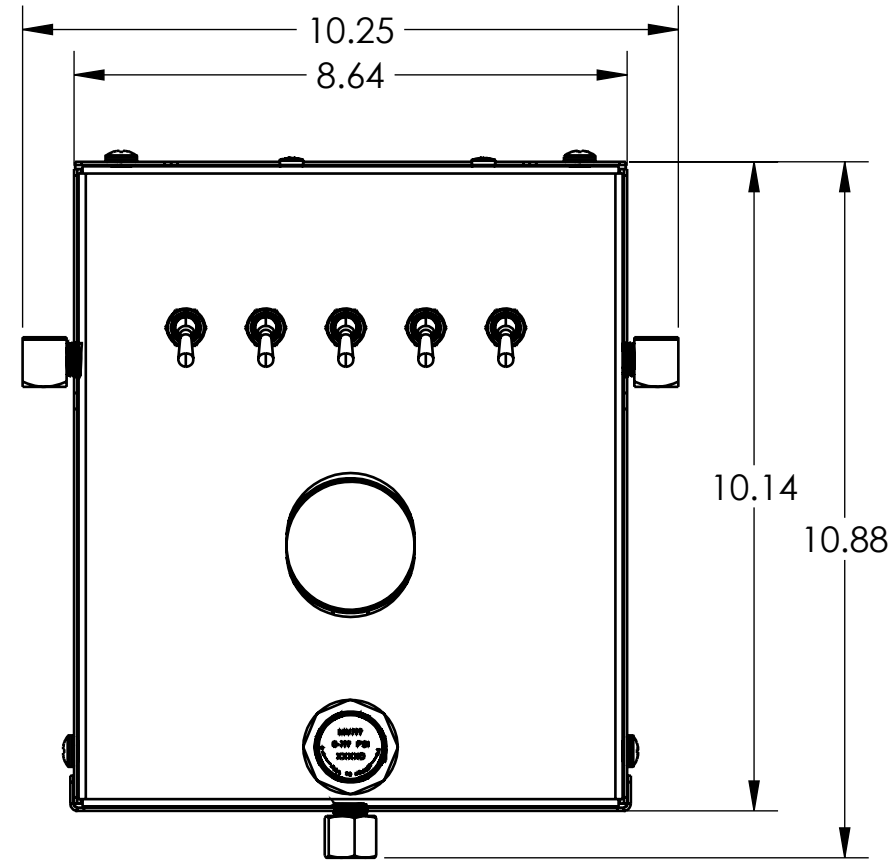


1/4" NPT FEMALE INLETS/OUTLETS



**PROPRIETARY AND CONFIDENTIAL**  
 THE INFORMATION CONTAINED IN THIS DRAWING IS THE SOLE PROPERTY OF MCDANTIM, INC. ANY REPRODUCTION IN PART OR AS A WHOLE WITHOUT THE WRITTEN PERMISSION OF MCDANTIM, INC IS PROHIBITED.

UNLESS OTHERWISE SPECIFIED:  
 DIMENSIONS ARE IN INCHES  
 TOLERANCES:  
 FRACTIONAL ± 1/32  
 ANGULAR: MACH ± BEND ±  
 TWO PLACE DECIMAL ±.01  
 THREE PLACE DECIMAL ±.005

INTERPRET GEOMETRIC TOLERANCING PER: ANSI Y14.5M-1994

MATERIAL

FINISH

DO NOT SCALE DRAWING

	NAME	DATE
DRAWN	EHS	10/19/22
CHECKED		
ENG APPR.		
MFG APPR.		
Q.A.		
COMMENTS:		

**McDantim**  
GAS BLENDING TECHNOLOGIES

TITLE:  
**WELDCHOICE  
 DIM**

SIZE <b>B</b>	DWG. NO. <b>WELD CHOICE</b>	REV <b>0</b>
SCALE: 1:3	WEIGHT:	SHEET 1 OF 1